



Quanzhou Smarts Electronic & Technology Co.,Ltd
 7th Floor Hengxin building No.9 Chifeng Rd. Licheng dist.,Quanzhou,Fujian,China
 Tel.:+86 (595) 2725 6889 / Fax:+86 (595) 2246 5526 / phone:(+86) 1348 9577 737
 E-mail: steven@smartselectronic.com.cn / skype: steven821228

120W Triac Dimmable 100-277V constant voltage LED driver+ PWM signal output



■ Features:

- Output constant voltage
- Input voltage range 100-277VAC
- Built-in PFC function / PF>0.97
- Efficiency >85% / Dimming range: 0~100%
- Protections:short circuit/over voltage/over heat
- PWM output, does not change the color index
- IP20 design for indoor or outdoor installations
- Cooling by free air convection / Flicker-free
- Work with leading edge and trailing edge TRIAC dimmers
- Strong compatibility, flicker-free dimming
- Suitable for LED lighting and moving sign applications
- Compliance to worldwide safety regulations for lightings.
Compatible with Forward phase, Reverse phase, Triac, MLV, ELV Dimmers
- 7 years warranty

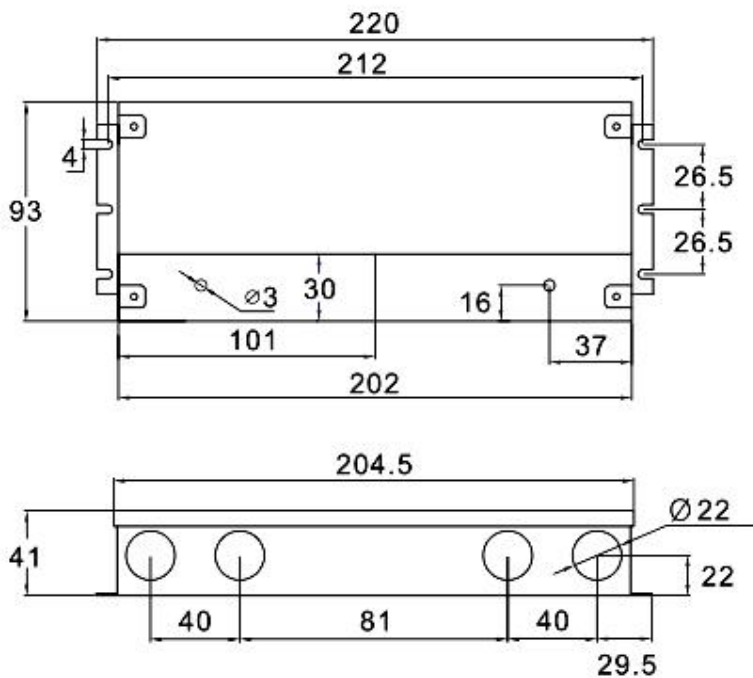
Specification



model		SMT-012-120VTH	SMT-024-120VTH
Output	DC Voltage	12V	24V
	Voltage Accuracy	±0.5V	±0.5V
	Voltage Regulation	±0.5%	
	Load Regulation	±2%	
	Rated current	10.00A	5.00A
	Rated power	120W	
Input	Voltage Range	100~277V AC	
	Frequency Range	47~63HZ	
	Power Factor (Typ.)	0.99@120VAC 0.96@277VAC	0.98@120VAC 0.96@277VAC
	Full Load Efficiency (Typ.)	>82%	
	AC Current (Typ.)	1.7A@100VAC	
	Leakage current	<0.50mA	
Protection	Short Circuit	shut down o/p voltage, re-power on to recover after fault condition is removed	
	Over Loading	≤120% constant current limiting, auto-recovery	
	Over temperature	100°C±10°C shut down o/p voltage, automatically recover after cooling.	
	Over voltage	≤ 140VAC(100~130V) , ≤ 270VAC(170~277V)	
Environment	Working TEMP.	-40~+60°C	
	Working Humidity	20~90%RH,non-condensing	
	Storage TEM.,Humidity	-40~+80°C , 10~95%RH	
	TEMP.coefficient	±0.03%/°C (0~50°C)	
	Vibration	10~500Hz, 2G 10min./1 cycle, period for 60min. each along X,Y,Z axes	
Safety& EMC	Safety standards	UL8750, UL1012	
	Withstand voltage	I/P-O/P:3.75KVAC I/P-FG:1.88KVAC O/P-FG:0.5KVAC	
	Isolation resistance	I/P-O/P: 100MΩ/500VDC/25°C/70%RH	
	EMC EMISSION	FCC Part 15 B	

	EMC IMMUNITY	Compliance to EN61000-4-2,3,4,5,6,8,11,EN61547 Alight industry level (surge4KV)
Others	Weight	1.3Kg
	Size	220*93*41mm (L*W*H)
	packing	329*279*176mm , 10PCS/ctn
Notes	1. All parameters NOT specially mentioned are measured at 110V/277VAC input , rated load and 25°C of ambient temperature. 2. Ripple& noise are measured at 20MHz of bandwidth by using a 12"twisted pair-wire terminated with a 0.1uf &47uf parallel capacitor. 3. Tolerance:includes set us tolerance,line regulation and load regulation .	

■ Mechanical Specification



※Input:18AWG Black and White to be connected to AC L and N ,Green wire go ground,

※Output: Red is (DIM+) ,Black is (DIM-)

※Note: Any other requests we can customized.

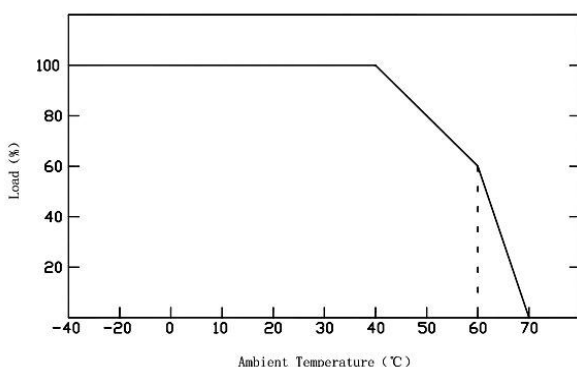
■ Dimming Operation

※Output constant current level can be adjusted through input terminal of the AC phase line(L) by connection a triac dimmer.

※Compatible with Leading edge or trailing edge triac dimmers, but trailing edge dimmers work better..

※Please try to use dimmers with power at least 1.5 times as the output power of the driver.

■ Derating Curve

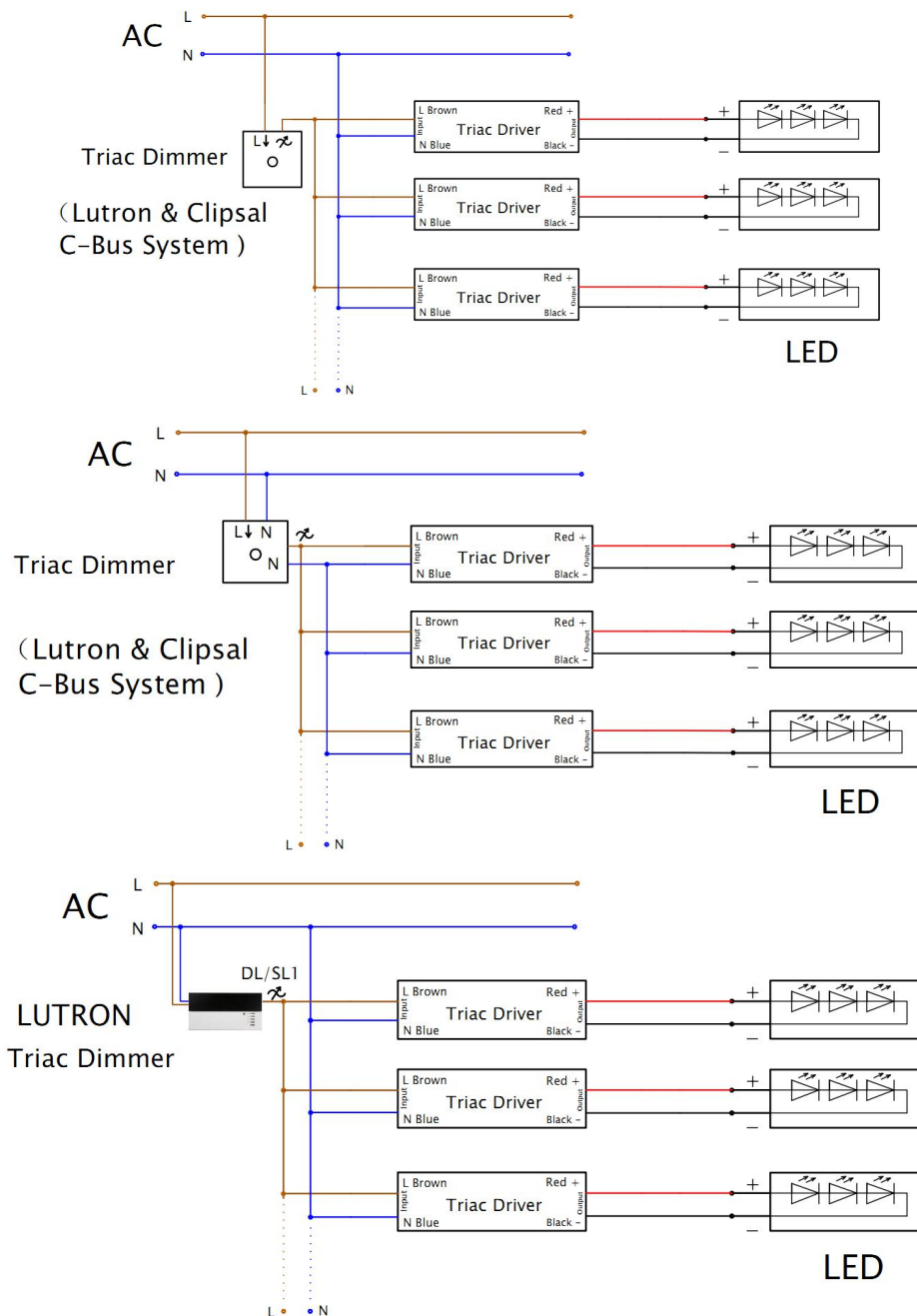


※Load carried in accordance with the load derating curve, according to the ambient temperature derating, in order to extend the working life.

■ Simple Connection Diagram



■ Connecting Diagram



■ Instruction:

- ※This driver should be installed by qualified and professional person;
- ※Please make sure the driver is installed with adequate ventilation around it to allow for heat dissipation.
- ※Ensure that wiring is correct before test in order to avoid light and power supply damage;
- ※If the dimmable LED drivers do not work normally, pl. don't maintain privately, but contact us:

sales1@smartelectronics.com Or take a phonecall: 0086-595-27256889